

测试报告编号: Test report no.:	CN217CRV 001R	订单编号: Order no.:	168345813	第 1 页 共 5 页 Page 1 of 5
客户参考编号: Client reference no.:	N/A	订单日期: Order date:	2021.12.01	
客户: Client:	SunRack Solar Co., Ltd. 合肥恒创光伏发电有限公司 No. 333 Qimen Road, Shushan District, Hefei, Anhui 230071, China. 安徽省合肥市蜀山区祁门路333号			
产品名称: Test item:	Vertical Tensile Test of Square Tube and Plate's Connection 方管、基座连接结构纵向拉伸测试			
产品型号: Identification / Type no.:	N/A			
测试内容: Order content:	General test service 一般测试服务			
测试依据标准: Test specification:	Selected test(s) as requested by client 测试内容根据客户要求			
样品接收日期: Date of sample receipt:	2021.12.01			
测试样品编号: Test sample no.:	2111019			
测试时间: Testing period:	2021.12.07 - 2021.12.09			
测试地点: Place of testing:	See other 详见其它			
测试实验室: Testing laboratory:	TÜV Rheinland (Shenzhen) Co., Ltd. Xiamen Branch			
测试结果*: Test result*:	Refer to following pages 请参阅以下页面			
测试人: tested by:	Libin Luo	核准人: authorized by:	Luke Xu / Reviewer	
日期: Date:	2021.12.21	发布日期: Issue date:	2021.12.21	
职位 / Position:	Libin Luo / PE	职位 / Position:	Luke Xu / Reviewer	
其它 / Other:	Place of testing: Technology Center of Xiamen Customs 测试地点: 厦门海关技术中心 This test report supersedes report CN217CRV 001. According to client's requirement, product information in page 3 was updated. 本试验报告取代报告 CN217CRV 001。根据客户要求, 更新第 3 页产品信息。			
测试样品状况: Condition of the test item at delivery:	测试样品完整无损坏 Test item complete and undamaged			
* 评级说明: * Legend:	P(ass) = 通过上述测试规范 P(ass) = passed a.m. test specification(s)	F(ail) = 未通过上述测试规范 F(ail) = failed a.m. test specification(s)	N/A = 不适用 N/A = not applicable	N/T = 未测试 N/T = not tested
该测试报告仅对上述测试样品。未经本公司许可, 本测试报告不得复制或部分摘录。此测试报告不带有任何测试标志。 This test report only relates to the a. m. test sample. Without permission of the test center this test report is not permitted to be duplicated in extracts. This test report does not entitle to carry any test mark.				

v05

测试报告编号: CN217CRV 001R
Test report no.:

第 2 页 共 5 页
Page 2 of 5

备注
Remarks

- | | |
|---|--|
| 1 | <p>在指定测试期间使用的设备已根据本实验室的校准程序进行了校准。实验设备符合相关标准中包含的要求。遵守我方管理体系的规定可确保所使用测试设备的可追溯性。
测试实验室存留有关测试条件、设备和测量不确定度的详细信息，并可根据要求提供。</p> <p><i>The equipment used during the specified testing period was calibrated according to our test laboratory calibration program. The equipment fulfils the requirements included in the relevant standards. The traceability of the test equipment used is ensured by compliance with the regulations of our management system. Detailed information regarding test conditions, equipment and measurement uncertainty is available in the test laboratory and could be provided on request.</i></p> |
| 2 | <p>依据合同约定，本文档仅签署电子签名。TUV 莱茵未验证且无法验证哪些法律或其它相关要求适用于本文档。此类验证的责任由本文档用户承担。TUV 莱茵可根据客户要求出具单独文件，以确认电子签名的有效性。此类要求应发送至我方销售部门，届时将收取相关附加服务费用。</p> <p><i>As contractually agreed, this document has been signed digitally only. TUV Rheinland has not verified and unable to verify which legal or other pertaining requirements are applicable for this document. Such verification is within the responsibility of the user of this document. Upon request by its client, TUV Rheinland can confirm the validity of the digital signature by a separate document. Such request shall be addressed to our Sales department. An environmental fee for such additional service will be charged.</i></p> |
| 3 | <p>标有*的测试条款分包至合格的分包商，并在报告中的相应测试条款内加以描述。
测试规范（的偏差）或客户要求的偏差，将在报告的特定测试条款中列出。</p> <p><i>Test clauses with remark of * are subcontracted to qualified subcontractors and described under the respective test clause in the report.
Deviations of testing specification(s) or customer requirements are listed in specific test clause in the report.</i></p> |

测试报告编号: CN217CRV 001R
Test report no.:

产品描述
Product description

1	产品详情 Product details	Vertical Tensile Test of Square Tube and Plate's Connection 方管、基座连接结构纵向拉伸测试
2	尺寸 / 重量 Dimensions / Weight	Beam dimension/导轨尺寸:L149.95mm*W55.05mm*H1.88mm Total weight/总重量:884.72g
3	操作要素 Operating elements	N/A
4	设备 / 附件 Equipment / Accessories	N/A
5	使用材料 Used materials	6005-T5/不锈钢
6	其它 Other	N/A
7	测试样品取得途径: Test sample obtaining:	<input checked="" type="checkbox"/> Sending by customer 客户送样 <input type="checkbox"/> Sampling by TÜV Rheinland Group 莱茵公司取样 <input type="checkbox"/> others 其它:

Original samples/原始样品



Loading condition of sample/样品加载状态



Detail of after tesing/样品测试后细节



N/A

测试报告编号: CN217CRV 001R
Test report no.:

第 4 页 共 5 页
Page 4 of 5

Absatz Clause	Anforderungen - Prüfungen / Requirements - Tests	Messergebnisse - Bemerkungen / Measuring results - Remarks	Ergebnis Result
------------------	---	--	--------------------

Loading test/载荷试验

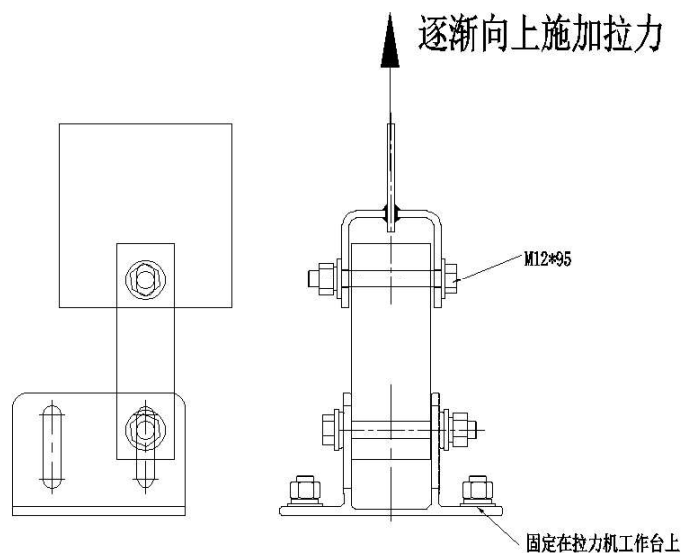
Test method: According to requirement as client provided shows in following figure.

测试方法: 依据客户提供的要求, 如下图所示。

Loading rate: 5 mm/min

加载速率:

Test arrangement for specimen/样品测试安放示意图:



Test results/测试结果:

No./编号	Max Force/最大加载力 (N)	Displacement when max force/最大加 载力时的位移(mm)
1	14437.5	9.34
2	13828.1	5.51

Remark/备注:

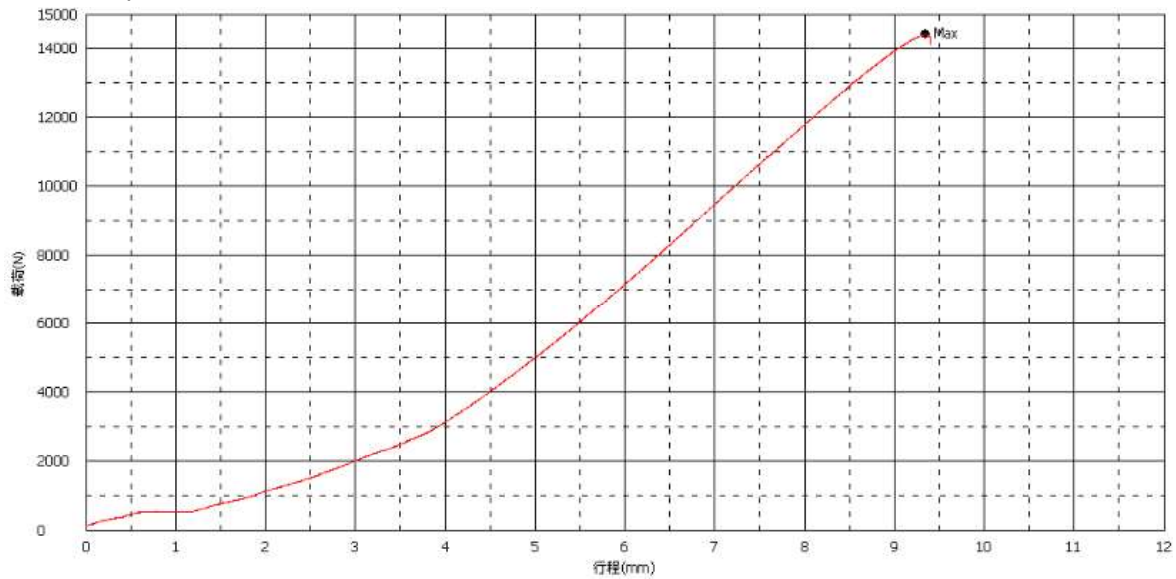
- 1) 测试后样品发生变形, 见测试后照片; / The samples were deformed after the test, see photo(s) of after testing;
- 2) 位移包括样品拉伸过程中产生的形变、滑移。 / Displacement means the deformation and slippage of sample during the tensile test.

测试报告编号: CN217CRV 001R
Test report no.:

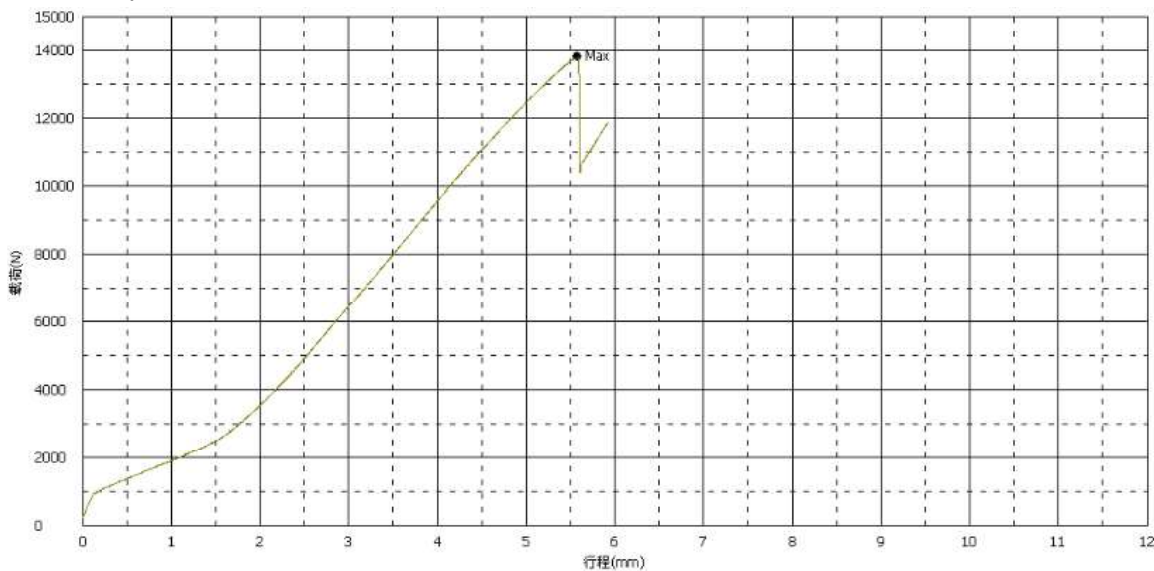
Absatz Clause	Anforderungen - Prüfungen / Requirements - Tests	Messergebnisse - Bemerkungen / Measuring results - Remarks	Ergebnis Result
------------------	---	--	--------------------

Force - deformation curves/力-变形曲线:

Curve of specimen No.1 / 编号 1 样品曲线



Curve of specimen No.2 / 编号 2 样品曲线



--- End of Test Report ---

测试报告结束